

KSB Mobile Flood Pump

Reliable solution for flooding



KSB Mobile Flood Pump Cost Efficient and User Friendly

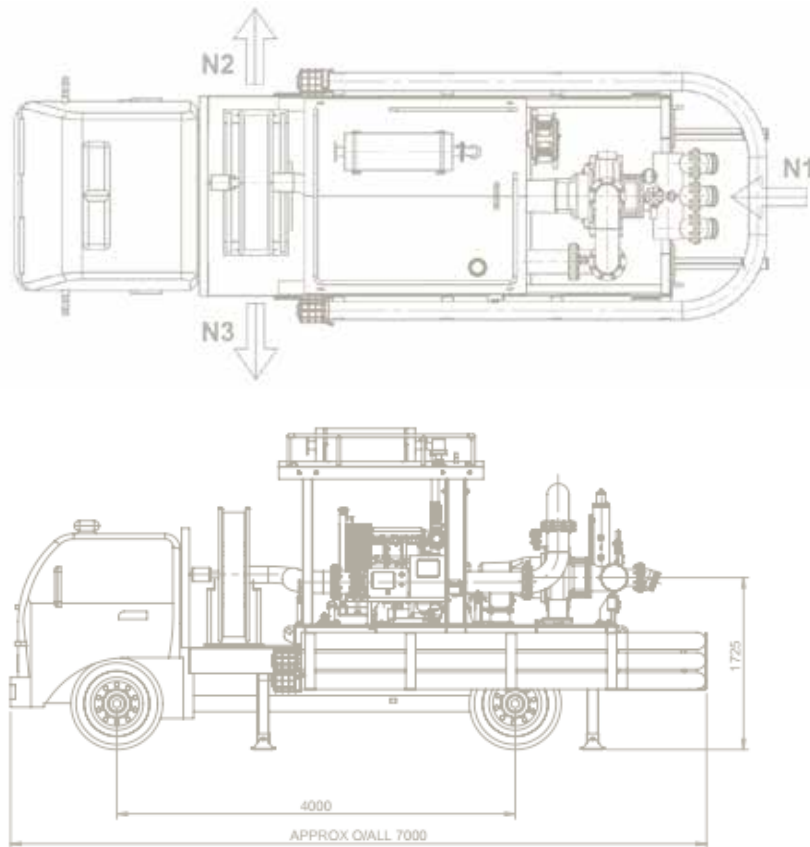
The mobile flood pump is the right solution for draining inundation and alleviating frequently flooded area. A high speed operation with capacity from 30 to 500 litres per second. It is a complete mobile pump on wheels that can be quickly moved to where it is needed and will be used within minutes of arriving.

Further information:
ksb.co.id



KSB Mobile Flood Pump

Technical Specification



Specification	MTFP125	MFP100 double	MFP1000	PBD500
Pump Type	KWPK 100-080-250	KWPK 150-150-315	SEWATEC D 300-400 G1	SEWATEC K 350-503G
Origin	Germany	Germany	Germany	Germany
Capacity (m3/hr)	125	2x288	1000	1800
Head (m)	18	20	20	15
Efficiency (%)	78.8	80	80	80
Engine Power (kW)	19	29.8	min. 100	min. 162
Fuel tank capacity	25	50	100	100
Material	Other material variants beside below are available			
Casing	EN-GJL 250	EN-GJL 250	EN-GJL 250	EN-GJL 250
Impeller	EN-GJL 250	EN-GJL 250	EN-GJL 250	EN-GJL 250
Shaft	C45+N	C45+N	C45+N	C45+N
Suction hose	6 meters	4 x 6 meters	2x 6 meters	8 x 6 meters
Discharge hose	25 meters	2x 25 meters	2x 25 meters	3 x 50 meters
Priming system	Automatic priming system with vacuum pump and sensor for priming and automatic shutdown the engine when flow ceases (dry running if there in three minutes pump can not suck the water) to protect pump running out of cavitation			
Piping	Carbon steel			
Documentation	Certificate of Origin, Certificate of Warranty, Operational Book, Testing Report			



KSB Indonesia

Head Office, Cibitung. Telp: 021 89983570
 Sales & Marketing Office, Jakarta. Telp: 021 80886509
 E-mail: ksbsales@ksb.com
 www.ksb.com/en-id