

# SPNFN – Horizontally or Vertically Mounted, Single Stage and Single Suction Volute Casing Pump 卧式/立式安装单级单吸蜗壳泵



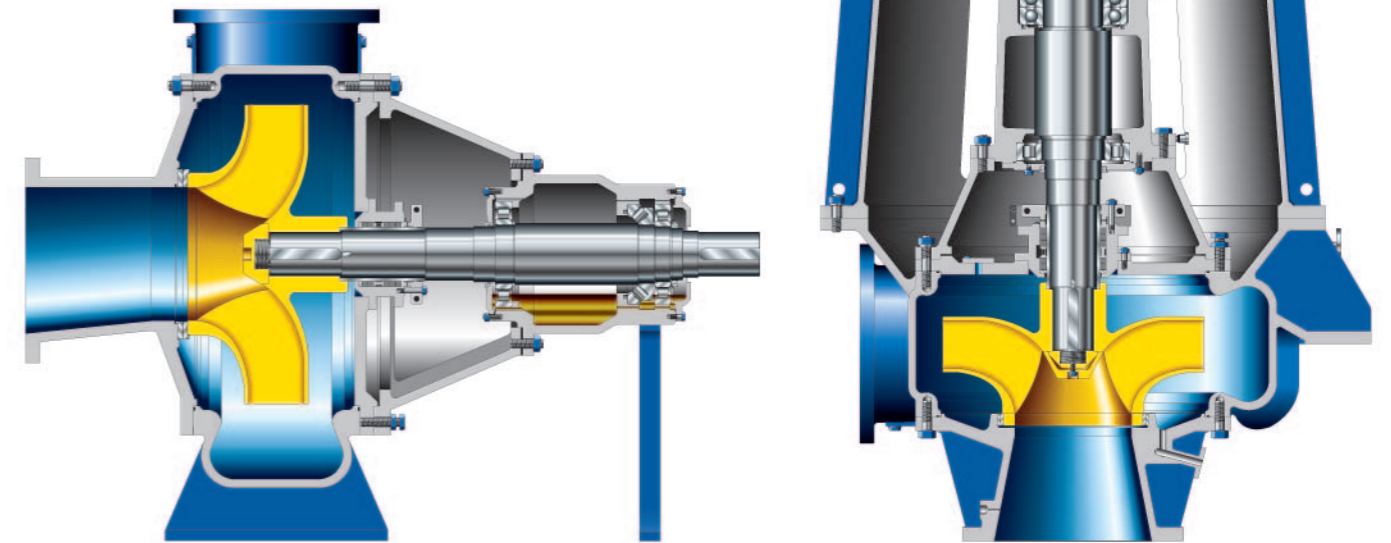
### Applications:

Condensate transport  
Water supply  
Cooling water supply

### 应用范围：

冷凝水输送  
供水  
冷却水供应

# SPNFN – Horizontally or Vertically Mounted, Single Stage and Single Suction Volute Casing Pump 卧式/立式安装单级单吸蜗壳泵



### Minimal Maintenance 最小限度维修

- Pre-lubricated, grease-filled antifriction bearings
- Min. design life: 100,000 hours
- 预加油脂润滑的滚动轴承
- 最小设计寿命: 100,000 小时

### Optimal Efficiency 最佳效率

- Maximum efficiency up to 90%
- Non-clog high efficiency impeller: few blade and wide passage for the handling of solid particles

最高效率达到90%

非阻塞式高效叶轮: 叶片数少, 流道宽, 过流粒径大

### High Reliability 可靠性高

- Robust design ensure minimum deflection
- Grease or water sealed gland packing or single/double mechanical seal for any application

坚固的设计确保轴的挠度最小

油脂或水封填料密封, 或者单/双机械密封, 适用于所有应用领域

### Technical data\* 技术数据\*

Size 口径	up to DN 1,600
Capacity 流量	up to 28,800 m <sup>3</sup> /h
Head 扬程	up to 65 m
Operating pressure 工作压力	up to 10 bar
Temperature 温度	up to 70 °C
Speed 转速	up to 1,500 min <sup>-1</sup>

\*Higher ratings on request \*有更高的参数满足需求