

RVR End-suction pump

RVR - 端吸泵



Applications:

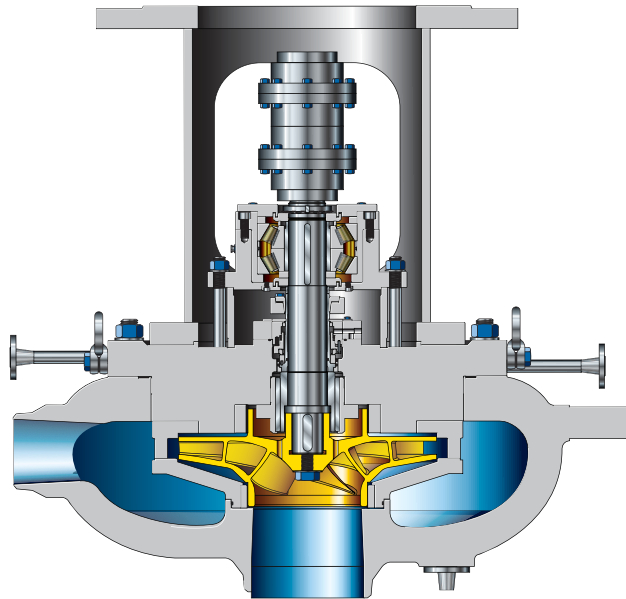
- Residual heat removal systems
- Low-pressure safety injection
- Acid injection systems
- Core flooding
- Emergency cooling systems
- Auxilliary systems

应用范围:

- 余热导出系统
- 低压安注系统
- 硼酸注入系统
- 堆芯淹没
- 紧急冷却系统
- 辅助系统

RVR End-suction pump

RVR- 端吸泵



RVR 锻造结构
RVR Cast design

Quick replacement and maintenance 交换和维护便捷

- Pull-out design of pump internals
- Mechanical seal in cartridge design
- 可抽芯式设计
- 集装箱式设计的机械密封

Reduced susceptance to failure 降低了故障率

Elimination of ancillary systems (cooling, lubrication, instrumentation & control, piping, tanks, etc.)
取消了辅助系统(冷却, 润滑, 仪表, 监控, 管路, 容器等等)

High safety 安全性高

Symmetrically forged casing contour for highest strength and 100% NDE testing

对称锻造的壳体可承受更高的强度和100%的无损检验。

Insensitive 特殊的适用能力

to dirt particles and short-time dry running
有污物颗粒和短时间内的干转运行。

Operational reliability 运行可靠性

- Minimum radial hydraulic forces (impeller/diffuser arrangement)
 - Low load on shaft and bearing
 - Smooth operation
- 径向水推力最小化(叶轮/导叶的布置)
 - 轴/轴承上的负载低
 - 运行平稳

• Compact rotor design • 紧凑的转子设计

- Stable rotordynamic properties under transient thermal and cyclic pressure loads
- 在热瞬变和周期压力负荷下, 有稳定的转子动力特性

Reliable 可信赖的

- Robust
- Ample sized bearings
- Low vibrations
- 耐用性
- 增强规格的轴承
- 振动低

Technical data * 技术数据 *

Size 尺寸规格	up to DN500
Capacity 流量	up to 6500m ³ /h
Head 扬程	up to 190 m
Operating pressure 运行压力	up to 63 bar
Temperature 温度	up to +200 °C

* Higher ratings on request * 有更高参数满足要求

* Horizontal type - RHR * 卧式端吸泵 RHR