

RUV – Generation 3+ customized Reactor Coolant Pump

为第三代核电站量身定做的反应堆冷却剂泵



Applications:

- Reactor coolant pump for generation 3+ nuclear power stations.

应用范围:

- 第三代核电站的反应堆冷却剂泵

RUV – Generation 3+ customized Reactor Coolant Pump

为第三代核电站量身定做的反应堆冷却剂泵

- Operational Safety 安全的运行**

 - Maximum safety due to completely forged pressure boundary
 - Hermetically sealed (leakage free, no meachanical seals)
 - Perfect rotor dynamic behaviour

• 整个锻造的压力边界最大程度确保安全
• 无密封设计 (无泄漏, 无需机械密封)
• 完美的转子动力特性
- Integrity under upset conditions 在异常工况下机组的完整性**

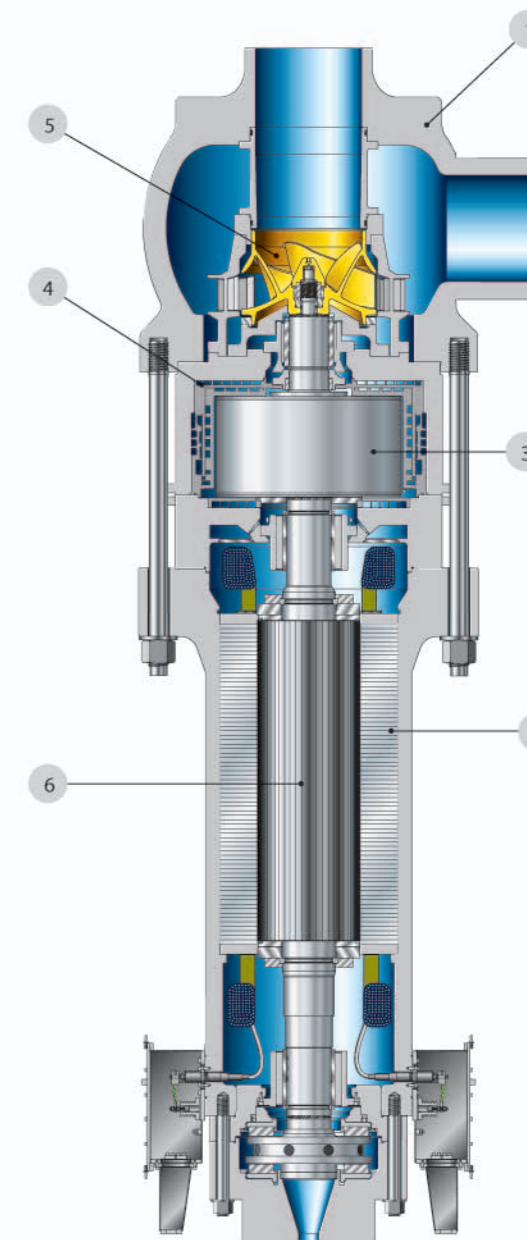
Motor cooling through thermosyphon effect
虹吸效应原理使电机冷却
- Flywheel 飞轮**

High inertia flywheel to adress coast down requirements
高转动惯量满足惰转要求
- Optimized thermal barrier 优化的热屏设计**

Advanced cooling concept for homogeneous temperature distribution
先进的冷却设计理念使温度均匀分布
- Optimized hydraulics 优化的水力模型**

Well proven design with very high hydraulic efficiency
经过验证且具有非常高的水力效率
- Maximum overall efficiency 最大化泵组效率**

Due to proven wet winding motor technology
归功于成熟的湿绕组电机技术
- Maintenance free design 免维护**



Technical Data* 技术数据*	RUV 560 - 755 (AP 1000)	RUV 650 - 870 (CAP 1400)
Pressure 压力	Up to 175 bar (17.5 MPa (a))	Up to 175 bar (17.5 MPa (a))
Temperature 温度	Up to 350 °C (662 °F)	Up to 350 °C (662 °F)
Capacity 流量	Up to 18,000 m³/h (79,254 gpm)	Up to 21,650 m³/h (95,325 gpm)
Head 扬程	Up to 120 m (394 ft)	Up to 120 m (394 ft)
Frequency 频率	60 Hz	50 Hz

* Higher ratings on request 根据需要满足更多参数要求